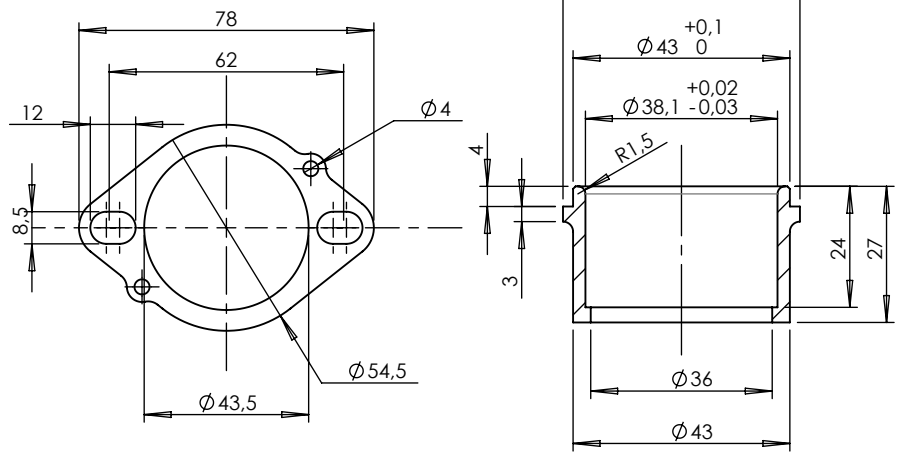
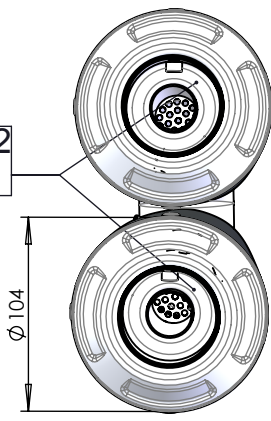


N°2 Db-Killer Ø22
Cod. 303430802



Superior silencer
GP duals Øi 50
Cod.3015110481

N°4 Knurled collar screw
M6X16 T.E.
Cod.204985

N°2 Graphyte
Gasket
Cod.204980

Aluminium Bracket
Purch.Cod.206344
Prod.Cod.3015110501

N°2 Knurled collar screw
M8X16 T.E.
Cod.206008

3 Plain Washer 8x24
Cod. 200321

Allen screw
M8x40 T.C.E.I. Z.B.
Cod. 200993

Silencer bracket- Stainl. s.
Purch.Cod. 206337
Prod. Cod.3015101501

Aluminium bracket
Cod. 08015110502

3 Knurled nut M8
Cod. 200298

3 S.Steel busher
Cod.204870

3 Flange "47D"
Cod. 204448

"OPTIONAL"
Cod. 5681

Inferior silencer
GP duals Øi 50
Cod.3015108482

Pipe n°4
Cod.3015110205

Allen screw
M8x25 T.C.E.I. Z.B.
Cod. 200314

N°9 Short helical spring
tensile
Cod.303949001

Pipe 3 in 1
Cod.3014032204

Pipe n°3 (DX) S. Steel
Cod.3014032203

Pipe n°2 S. Steel
Cod.3014032202

Pipe n°1 (SX) S. Steel
Cod.3014032201

Art. 15108US YAMAHA XSR 900 - MT-09

Full System 3/1 - "GP DUALS"